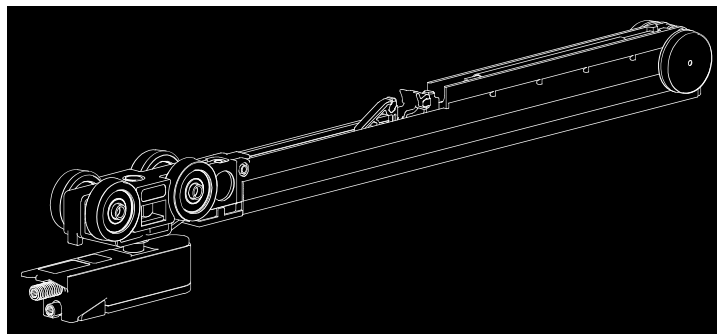







Evolution


The invisible bracket sliding system




 min 600 mm

 50 ÷ 120 kg

 6 mm

 Fermi standard

 Fermi ammortizzati



Evolution

Evolution is the revolutionary sliding system for internal glass and wooden doors, born to come out from the traditional concept of the standard bracket, available with new Fluid dampers. Evolution system has floor distance of only 6 mm; it is equipped with a damping system in rubber which reduces significantly the noise level.

The classic bracket has evolved, becoming invisible

In times of difficult economic recovery, we often think about optimizing new solutions that well match the concepts of simplicity and cost effectiveness. So it happens that from a simple concept something extraordinary arises. Something extremely original, capable of rewriting all the rules.

Terno Scorrevoli, increasingly engaged in the development of products that can be functional and aesthetically pleasant, has created Evolution, a sliding system for internal wooden, which stands out from classic bracket systems.

Compared to traditional door bracket systems, Evolution revolutionizes the sliding unit concept in several ways.

Fully concealed recessed fitting

One of the main features of this system is the lack of any visual impact.

In fact, the system is designed to be completely concealed, including the option of a recessed ceiling rail.

Reduced upper/lower gap

Its peculiar structure allows the side positioning of the fastening and adjustment systems; in this way, there is only a 2 mm upper gap between the guide and the door and a 6 mm gap between the floor and the door.

Noiseless with anti-bounce system

The bracket features an innovative anti-bounce system which, together with the air shock absorbers, allow a stable and soft stop of the door.

Evolution is a truly special patent system: its features make it interesting in every sense. Anyone who is looking for an enhanced door sliding system, will be thrilled about this recessed sliding system.

